



INSTRUCTIONS

-J02588

REV. 2009-04-09

SOFTAIL DETACHABLE SIDEPLATE KIT

GENERAL

Kit Numbers

53810-00B, 53857-00B, 54258-10

Models

This kit is used to complete the installation of a sissy bar upright on specific model motorcycles. See the P&A retail catalog or the Parts and Accessories section of www.harley-davidson.com (English only) for available sissy bar uprights and model fitment information.

NOTE

This kit is designed to be used ONLY with Genuine Harley-Davidson sissy bar uprights.

Additional Parts Required

A sissy bar upright is needed.

Prior to installation of this Detachable Sideplate Kit, the correct Docking Hardware Kit and Directional Relocation Kit for this model motorcycle must be installed.

These items are available separately from a Harley-Davidson dealer.

Tools and Supplies Required

Loctite® 262 Threadlocker and Sealant - Red (H-D Part Number 99759-99) is required for the proper installation of this kit.

WARNING

The rider's safety depends upon the correct installation of this kit. If the procedure is not within your capabilities or you do not have the correct tools, have a Harley-Davidson dealer perform the installation. Improper installation of this kit could result in death or serious injury. (00308a)

Kit Contents

See Figure 5 and Table 1.

INSTALLATION

Sissy Bar Installation to Sideplates

- See Figure 5. Insert the legs of the sissy bar upright (A) all the way into the channels (B) of the sideplates (1 and 2) as shown.
- Apply a few drops of Loctite 262 - Red to the threads of the button head screws (4).
Thread the screws into the holes in the sideplate channels, and tighten to 96-120 **in-lbs** (11-14 N-m).

Sissy Bar and Sideplate Installation to Docking Points

- See Figure 1. While standing behind the motorcycle, place the left-side and right-side front sideplate notches (2) into the front docking points (4) on the fender supports (3).

See Figure 2 for views of correct and incorrect sideplate engagement.

NOTE

Failure to properly align the front docking points and sideplates may result in damage to the rear docking points.

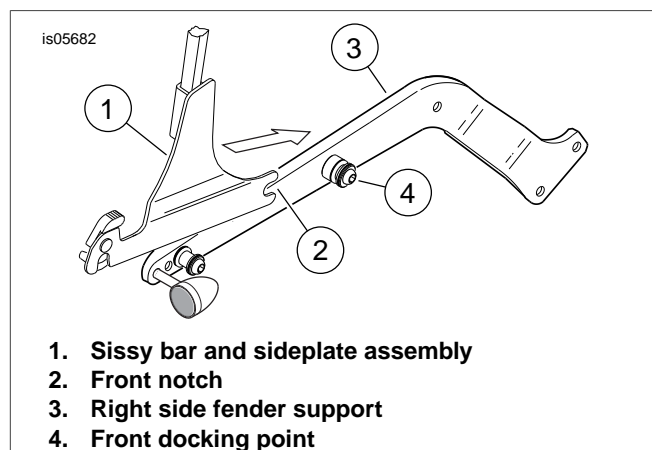


Figure 1. Place Front Notches into Front Docking Points

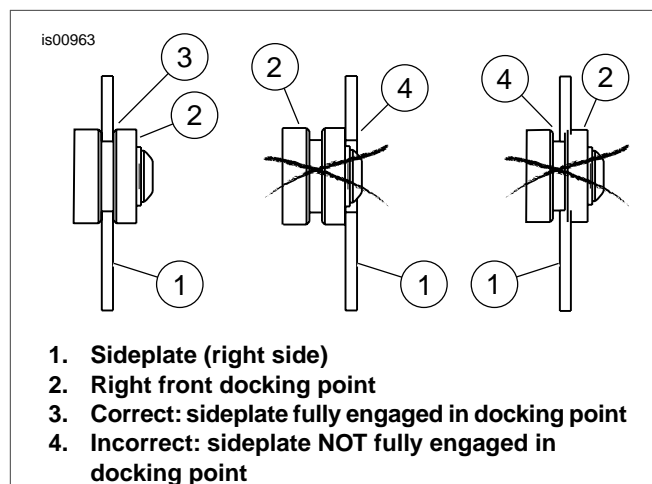


Figure 2. Sideplate Fit to Front Docking Points

back. Carefully lift the rear of the sideplates up and pull the sissy bar assembly out of the front docking points.

SERVICE PARTS

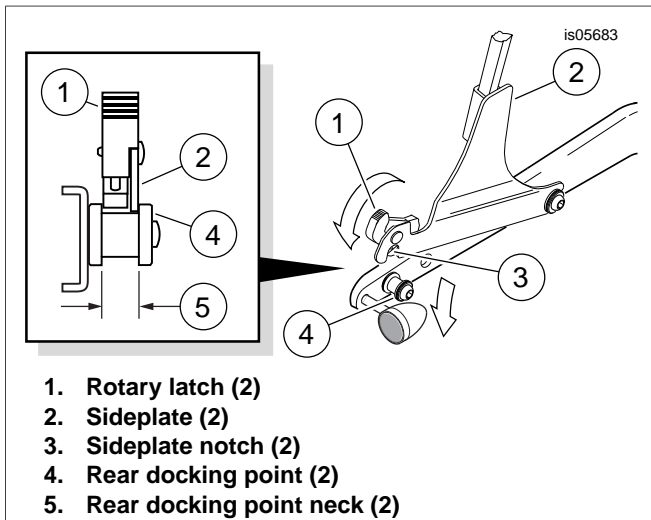


Figure 3. Lower Rear Notches Onto Rear Docking Points

4. See Figure 3. Position the rotary latches (1) over the rear docking points (4). Pull the rotary latches (1) back to their rearmost position as shown.

Check to be sure the sideplate notches (3) and latches fit into the neck (5) of the rear docking points as shown. This may require some gentle squeezing or spreading of the sideplates (2).

5. Push the rear of the sideplates downward and close the rotary latches by pressing the latch levers as far forward as they will go (see Figure 4). A "CLICK" will be heard when the latches are in place. If the latches do not easily close, do not force. Check the sissy bar alignment again, as described in steps 3 and 4.

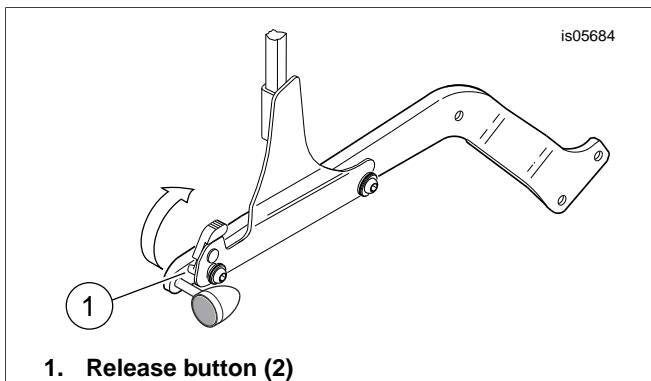


Figure 4. Close Rotary Latches

6. To remove the sissy bar and sideplate assembly, press the release button (1) on each side and pull the latch levers

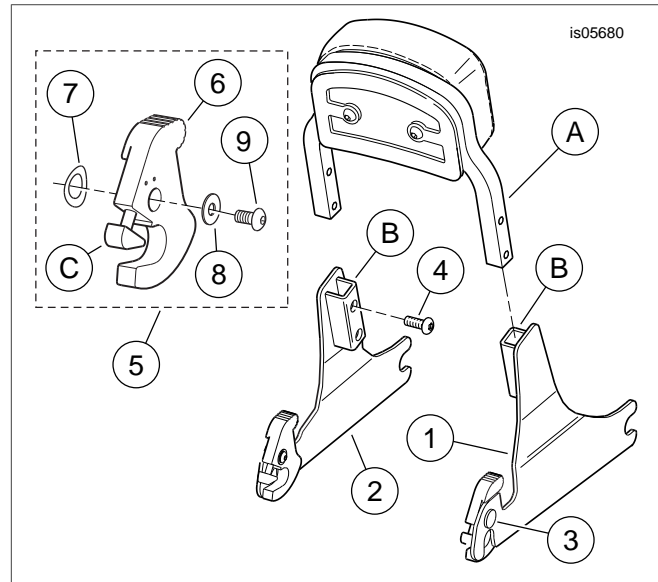


Figure 5. Service Parts, Softail Detachable Sideplate Kit

Table 1. Service Parts

Item	Description (Quantity)	Part Number
1	Sideplate, right	Not sold separately
2	Sideplate, left	Not sold separately
3	Pivot stud (2)	Not sold separately
4	Screw, button head (4)	94592-98
5	Rotary latch kit, right (not shown) Rotary latch kit, left (shown) (both include items 6 through 9)	53508-95 53509-95
6	• Rotary latch assembly	Not sold separately
7	• Wave washer	6828
8	• Flat washer, stainless steel	6827
9	• Screw, button head	2957
Items mentioned in text, but not included in kit.		
A	Sissy bar upright	
B	Channel in sideplate	
C	Rotary latch release button	